

## NVR-E32R-4D

Network Video Recorder



### قابلیت های کلیدی

- یک عدد HDMI 4K و یک عدد VGA مستقل از هم
- پشتیبانی از 4 عدد هارد تا ظرفیت 6 ترابایت برای هر کدام
- پشتیبانی از RAID 1,5
- قابلیت برگرداندن تصاویر ضبط شده بعد از قطع شبکه
- قابلیت بروزرسانی آنلاین

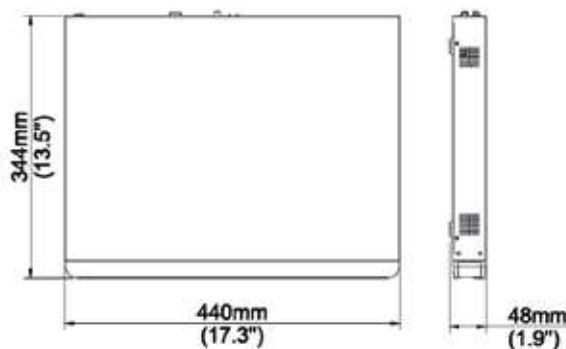
- پشتیبانی از فرمت های تصویر Ultra265, H.265, H.264
- 32 کانال تصویر ورودی تا رزولوشن 12 مگاپیکسل
- پشتیبانی از دوربین های با پروتکل ONVIF

### Specifications

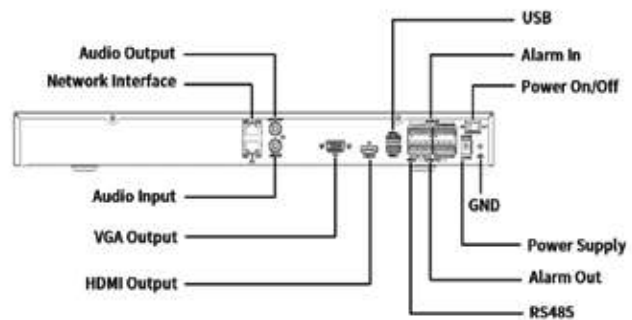
IP Video Input	32-ch
Two-way Audio Input	1-ch, RCA
Incoming bandwidth	320Mbps
Outgoing bandwidth	320Mbps
Remote Users	128
Protocols	TCP/IP, P2P, UPnP, NTP, DHCP, PPPoE, HTTP, HTTPS, DNS, DDNS, SNMP, SMTP, NFS
HDMI/VGA Output	VGA: 1920x1080p/60Hz, 1920x1080p/50Hz, 1600x1200/60Hz, 1280x1024/60Hz, 1280x720/60Hz, 1024x768/60Hz HDMI: 4K (3840x2160)/30Hz, 1920x1080p/60Hz, 1920x1080p/50Hz, 1280x1024/60Hz, 1280x720/60Hz, 1024x768/60Hz
Recording Resolution	12MP/8MP/6MP/5MP/4MP/3MP/1080p/960p/720p/D1/2CIF/CIF
Audio Output	1-ch, RCA
Audio Compression	6.711A, 6.711U
Synchronous Playback	16-ch
Live View Display	1/4/6/8/9/16/25/36
Corridor Mode Screen	3/4/5/7/9/10/12/16/32
FTP/Schedule/Event Snapshot	16-ch snapshot, up to 1080P resolution
Decoding Format	Ultra265/H.265/H.264
Live View/Playback	12MP/8MP/6MP/5MP/4MP/3MP/1080p/960p/720p/D1/2CIF/CIF
Capability	1 x 12MP@30, 2 x 4K@30, 5 x 4MP@30, 10 x 1080P@30, 16 x 720P@30

SATA	4 SATA interfaces
Capacity	up to 6TB for each HDD
eSATA	NA
VCA Detection	Face detection, Intrusion detection, Cross Line detection, Human Body detection, People Counting, People flow Counting, Crowd density monitoring, Scene Change detection, Defocus detection, Auto Tracking, Heat Map, Object Left Behind, Object Removed, Face and Vehicle Recognition by IPC, SIP by IPC
VCA Search	Face Search, Behavior Search
Disk Group	Support
RAID	RAID 1,5
Alert Alarm	IP Conflict, Network Disconnected, Disk Offline, Disk Abnormal, Illegal Access, Hard Disk Space Low, Hard Disk Full, Recording/Snapshot Abnormal
Network Interface	2 RJ45 10M/100M/1000M self-adaptive Ethernet Interfaces
USB Interface	Front panel: 1 x USB2.0, Rear panel: 1 x USB1 2.0 x USB3.0
RS232	NA
RS485	1
Alarm In	16-ch
Alarm Out	4-ch
Power Supply	12V DC/5A Power Consumption: ≤ 12 W (without HDD)
Working Environment	*10-C-+ *55C (*14+F-*131+F), Humidity ≤ %90 RH (non-condensing)
Dimensions (W×D×H)	440mm × 344mm × 48mm (1.9 × 13.5 × 17.3")
Weight (without HDD)	≤ 3Kg (6.61lb)

### Dimensions



### Rear Panel



132

